

MWH

Low Flow MicroWhirl Misting Head

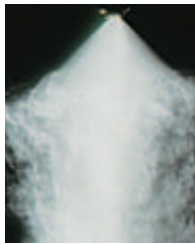
DESIGN FEATURES

- Finest atomization of any direct pressure multi-nozzle
- Rugged construction
- Minimum operating pressure 70 bar
- Other manifolds and flow rates available

SPRAY CHARACTERISTICS

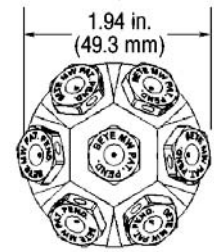
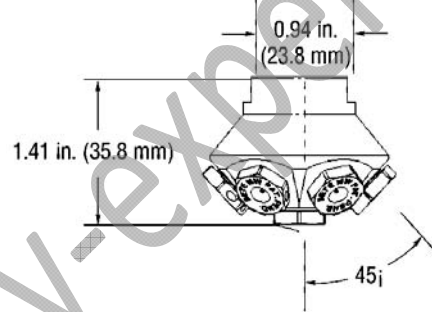
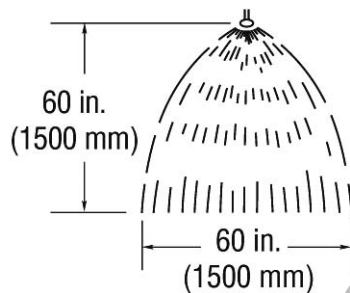
- Finest fog of any direct pressure nozzle
- Spray pattern:** Cone-shaped Fog
Flow rates: 4.2 to 8.7 l/min

See the MicroWhirl (pg 66) for more information



Fog

Coverage at 1500 psi (100 bar)



Dimensions are approximate. Check with BETE for critical dimension applications.

MicroWhirl Head Flow Rates and Dimensions

Fogging, 90° Spray Angle

Pipe Size	Nozzle Number	K Factor	LITERS PER MINUTE @ BAR			Approx. Orifice Dia. (mm)	Wt. (g)
			70 bar	150 bar	300 bar		
1/2"	MW1207	0.5	4.2	6.1	8.7	0.56	184

$$\text{Flow Rate (l/min)} = K\sqrt{\text{bar}}$$

Standard Materials: 316 Stainless Steel, Viton® O-ring.

Spray angle performance varies with pressure. Contact BETE for specific data on critical applications.



MISTING