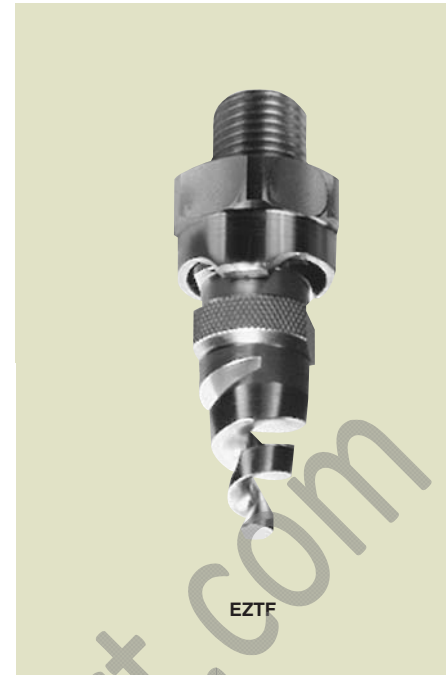




HOLLOW CONE

EZ_{TF} WT



EZ Change Quick Connection System

DESIGN FEATURES

- Nozzles can be changed in seconds without tools
- Three part nozzle, base, gasket and interchangeable tip
- Exclusive ramped engagement for efficient automatic alignment
- Threaded adapters will accommodate other standard BETE nozzles. Shut-off plugs are also available

SPRAY CHARACTERISTICS

- Available in six standard tips: EZTF; EZWL; EZWT; EZFF; EZNF; EZSPN

More EZ tips:

- Full Cone: page 30
- Flat Fan: pages 66 and 67

Flow rates: 0.13 to 206 l/min

Spray Angles:

- EZTF:** 60°, 90°, 120°, and 180°
- EZWT:** 70° and 110°



120° Hollow Cone

Dimensions are approximate. Check with BETE for critical dimension applications.

EZTF Flow Rates and Dimensions

Hollow Cone Spiral 60° (V), 90° (M), 120° (W), 150°, 170° or 180° (XW) Spray Angle 1/8" to 1/2" BSP or NPT

| Pipe Size | Nozzle Number | K Factor | LITERS PER MINUTE @ BAR | | | | | | | | | | | | Approx. Orifice Dia. (mm) | Approx. Assembly Dim. (mm) | | Wt. (g) | |
|-----------|---------------|----------|-------------------------|---------|---------|-------|-------|-------|-------|-------|--------|--------|--------|--------|---------------------------|----------------------------|------|---------|----|
| | | | 0.3 bar | 0.5 bar | 0.7 bar | 1 bar | 2 bar | 3 bar | 5 bar | 7 bar | 10 bar | 15 bar | 20 bar | 30 bar | | Hex Length | | | |
| 1/8" | EZTF6 | 3.19 | 1.75 | 2.26 | 2.67 | 3.19 | 4.51 | 5.53 | 7.13 | 8.44 | 10.1 | 12.4 | 14.3 | 17.5 | 2.38 | 1/8" | 22.4 | 41.4 | 62 |
| | TO EZTF8 | 5.93 | 3.25 | 4.19 | 4.96 | 5.93 | 8.38 | 10.3 | 13.2 | 15.7 | 18.7 | 22.9 | 26.5 | 32.5 | 3.18 | | | | |
| 1/2" | EZTF10 | 9.12 | 4.99 | 6.45 | 7.63 | 9.12 | 12.9 | 15.8 | 20.4 | 24.1 | 28.8 | 35.3 | 40.8 | 49.9 | 3.97 | 1/4" | 22.4 | 44.5 | 62 |
| | TO EZTF12 | 13.7 | 7.49 | 9.7 | 11.4 | 13.7 | 19.3 | 23.7 | 30.6 | 36.2 | 43.2 | 53.0 | 61.1 | 74.9 | 4.76 | | | | |
| 1/4" | EZTF14 | 18.5 | 10.1 | 13.1 | 15.4 | 18.5 | 26.1 | 32.0 | 41.3 | 48.8 | 58.4 | 71.5 | 82.6 | 101 | 5.56 | 3/8" | 22.4 | 46.0 | 74 |
| | TO EZTF16 | 24.2 | 13.2 | 17.1 | 20.2 | 24.2 | 34.2 | 41.8 | 54.0 | 63.9 | 76.4 | 93.6 | 108 | 132 | 6.35 | | | | |
| 1/2" | EZTF20 | 37.6 | 20.6 | 26.6 | 31.5 | 37.6 | 53.2 | 65.1 | 84.1 | 99.5 | 119 | 146 | 168 | 206 | 7.94 | 1/2" | 22.4 | 47.5 | 82 |

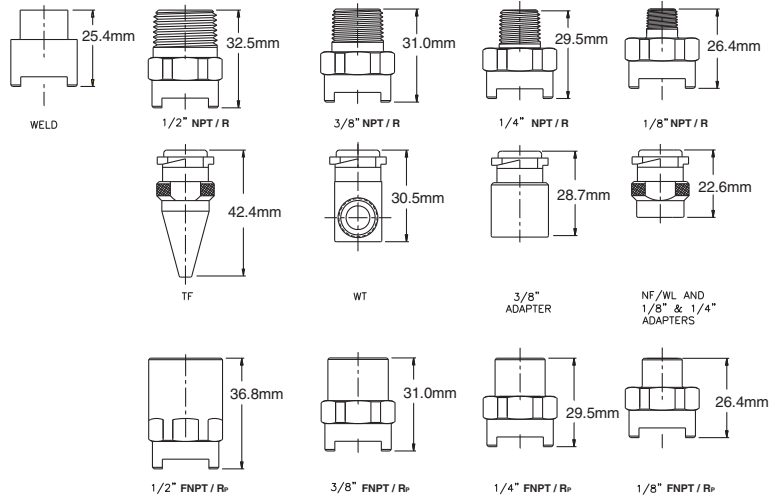
Flow Rate (l/min) = K √ bar

TF20 not available with 1/8" base

Standard Materials: Brass, Viton and Buna-N gaskets standard. 316 Stainless Steel available upon request.

Spray angle performance varies with pressure. Contact BETE for specific data on critical applications.

TO ORDER: specify pipe size, connection type, nozzle number, spray angle, and material.



Dimensions are approximate. Check with BETE for critical dimension applications.

EZWT Flow Rates and Dimensions

Hollow Cone, Narrow (70°) and Wide (110°) Spray Angles 1/8" to 1/2" BSP or NPT

| Pipe Size | Nozzle Number | K Factor | LITERS PER MINUTE @ BAR | | | | | | | | | | | | Orifice Dia. (mm) | Approx. Assembly Dim. (mm) | | Wt. (g) | |
|-----------|---------------|----------|-------------------------|---------|---------|-------|-------|-------|-------|-------|--------|--------|--------|--------|-------------------|----------------------------|------------|---------|----|
| | | | 0.3 bar | 0.5 bar | 0.7 bar | 1 bar | 2 bar | 3 bar | 5 bar | 7 bar | 10 bar | 15 bar | 20 bar | 30 bar | | Hex Length | Hex Length | | |
| 1/8" | EZWT10 | 0.228 | 0.13 | 0.16 | 0.19 | 0.23 | 0.32 | 0.40 | 0.51 | 0.60 | 0.72 | 0.88 | 1.02 | 1.25 | 0.794 | 1/8" | 22.4 | 41.4 | 62 |
| | EZWT12 | 0.273 | 0.15 | 0.19 | 0.23 | 0.27 | 0.39 | 0.47 | 0.61 | 0.72 | 0.87 | 1.06 | 1.22 | 1.50 | 0.794 | | | | |
| | EZWT18 | 0.410 | 0.23 | 0.29 | 0.34 | 0.42 | 0.58 | 0.71 | 0.92 | 1.09 | 1.30 | 1.59 | 1.83 | 2.25 | 1.19 | | | | |
| | EZWT20 | 0.456 | 0.25 | 0.32 | 0.38 | 0.46 | 0.65 | 0.79 | 1.02 | 1.21 | 1.44 | 1.77 | 2.04 | 2.50 | 1.59 | | | | |
| | EZWT27 | 0.615 | 0.34 | 0.44 | 0.52 | 0.62 | 0.87 | 1.07 | 1.38 | 1.63 | 1.95 | 2.38 | 2.75 | 3.37 | 1.19 | | | | |
| | EZWT35 | 0.798 | 0.44 | 0.56 | 0.67 | 0.80 | 1.13 | 1.38 | 1.78 | 2.11 | 2.52 | 3.09 | 3.57 | 4.37 | 1.59 | | | | |
| | EZWT40 | 0.912 | 0.50 | 0.65 | 0.76 | 0.91 | 1.29 | 1.58 | 2.04 | 2.41 | 2.88 | 3.53 | 4.08 | 4.99 | 1.98 | | | | |
| | EZWT42 | 0.957 | 0.52 | 0.68 | 0.80 | 0.96 | 1.35 | 1.66 | 2.14 | 2.53 | 3.03 | 3.71 | 4.28 | 5.24 | 1.59 | | | | |
| | EZWT48 | 1.09 | 0.60 | 0.77 | 0.92 | 1.09 | 1.55 | 1.89 | 2.45 | 2.89 | 3.46 | 4.24 | 4.89 | 5.99 | 1.59 | | | | |
| | EZWT50 | 1.14 | 0.62 | 0.81 | 0.95 | 1.14 | 1.61 | 1.97 | 2.55 | 3.01 | 3.60 | 4.41 | 5.10 | 6.24 | 1.98 | | | | |
| TO | EZWT53 | 1.21 | 0.66 | 0.85 | 1.01 | 1.21 | 1.71 | 2.09 | 2.70 | 3.20 | 3.82 | 4.68 | 5.40 | 6.62 | 1.98 | 1/4" | 22.4 | 44.5 | 62 |
| | EZWT60 | 1.37 | 0.75 | 0.97 | 1.14 | 1.37 | 1.93 | 2.37 | 3.06 | 3.62 | 4.32 | 5.30 | 6.11 | 7.49 | 2.38 | | | | |
| | EZWT68 | 1.55 | 0.85 | 1.10 | 1.30 | 1.55 | 2.19 | 2.68 | 3.47 | 4.10 | 4.90 | 6.00 | 6.93 | 8.49 | 1.98 | | | | |
| | EZWT70 | 1.60 | 0.87 | 1.13 | 1.33 | 1.60 | 2.26 | 2.76 | 3.57 | 4.22 | 5.04 | 6.18 | 7.13 | 8.74 | 2.38 | | | | |
| | EZWT80 | 1.82 | 1.00 | 1.29 | 1.53 | 1.82 | 2.58 | 3.16 | 4.08 | 4.82 | 5.77 | 7.06 | 8.15 | 9.99 | 1.98 | | | | |
| | EZWT100 | 2.28 | 1.25 | 1.61 | 1.91 | 2.28 | 3.22 | 3.95 | 5.10 | 6.03 | 7.21 | 8.83 | 10.2 | 12.5 | 3.18 | | | | |
| | EZWT130 | 2.96 | 1.62 | 2.09 | 2.48 | 2.96 | 4.19 | 5.13 | 6.62 | 7.84 | 9.37 | 11.5 | 13.2 | 16.2 | 3.18 | | | | |
| | EZWT150 | 3.42 | 1.87 | 2.42 | 2.86 | 3.42 | 4.83 | 5.92 | 7.64 | 9.04 | 10.8 | 13.2 | 15.3 | 18.7 | 3.57 | | | | |
| | EZWT160 | 3.65 | 2.00 | 2.58 | 3.05 | 3.65 | 5.16 | 6.32 | 8.15 | 9.65 | 11.5 | 14.1 | 16.3 | 20.0 | 3.97 | | | | |
| | EZWT180 | 4.10 | 2.25 | 2.90 | 3.43 | 4.10 | 5.80 | 7.10 | 9.17 | 10.9 | 13.0 | 15.9 | 18.3 | 22.5 | 3.97 | | | | |
| 1/2" | EZWT200 | 4.56 | 2.50 | 3.22 | 3.81 | 4.56 | 6.45 | 7.89 | 10.2 | 12.1 | 14.4 | 17.7 | 20.4 | 25.0 | 4.37 | 1/2" | 22.4 | 47.5 | 82 |
| | EZWT220 | 5.01 | 2.75 | 3.55 | 4.19 | 5.01 | 7.09 | 8.68 | 11.2 | 13.3 | 15.9 | 19.4 | 22.4 | 27.5 | 3.97 | | | | |
| | EZWT240 | 5.47 | 3.00 | 3.87 | 4.58 | 5.47 | 7.73 | 9.47 | 12.2 | 14.5 | 17.3 | 21.2 | 24.5 | 30.0 | 4.76 | | | | |
| | EZWT260 | 5.93 | 3.25 | 4.19 | 4.96 | 5.93 | 8.38 | 10.3 | 13.2 | 15.7 | 18.7 | 22.9 | 26.5 | 32.5 | 5.16 | | | | |
| | EZWT270 | 6.15 | 3.37 | 4.35 | 5.15 | 6.15 | 8.70 | 10.7 | 13.8 | 16.3 | 19.5 | 23.8 | 27.5 | 33.7 | 5.16 | | | | |
| | EZWT280 | 6.38 | 3.49 | 4.51 | 5.34 | 6.38 | 9.02 | 11.1 | 14.3 | 16.9 | 20.2 | 24.7 | 28.5 | 34.9 | 5.56 | | | | |
| | EZWT300 | 6.84 | 3.74 | 4.83 | 5.72 | 6.84 | 9.67 | 11.8 | 15.3 | 18.1 | 21.6 | 26.5 | 30.6 | 37.4 | 5.56 | | | | |
| | EZWT340 | 7.75 | 4.24 | 5.48 | 6.48 | 7.75 | 11.0 | 13.4 | 17.3 | 20.5 | 24.5 | 30.0 | 34.7 | 42.4 | 5.56 | | | | |
| | EZWT350 | 7.98 | 4.37 | 5.64 | 6.67 | 7.98 | 11.3 | 13.8 | 17.8 | 21.1 | 25.2 | 30.9 | 35.7 | 43.7 | 5.95 | | | | |
| | EZWT400 | 9.12 | 4.99 | 6.45 | 7.63 | 9.12 | 12.9 | 15.8 | 20.4 | 24.1 | 28.8 | 35.3 | 40.8 | 49.9 | 7.14 | | | | |

$$\text{Flow Rate (l/min)} = K \sqrt{\text{bar}}$$

Standard Materials: 303 Stainless Steel, 316 Stainless Steel, Brass, Viton gaskets standard.



HOLLOW CONE